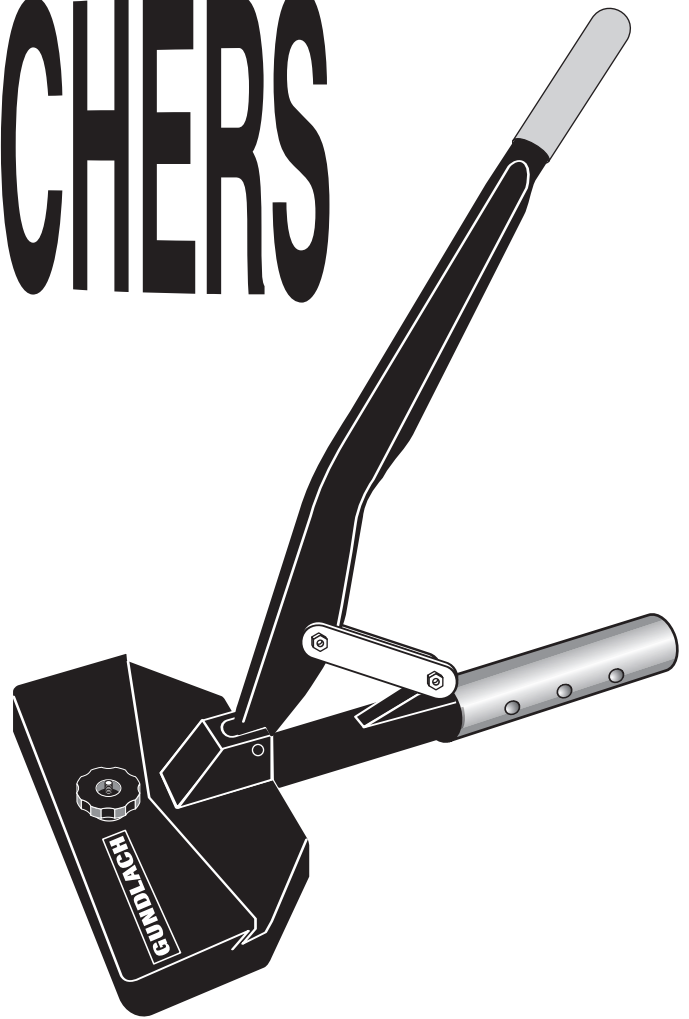
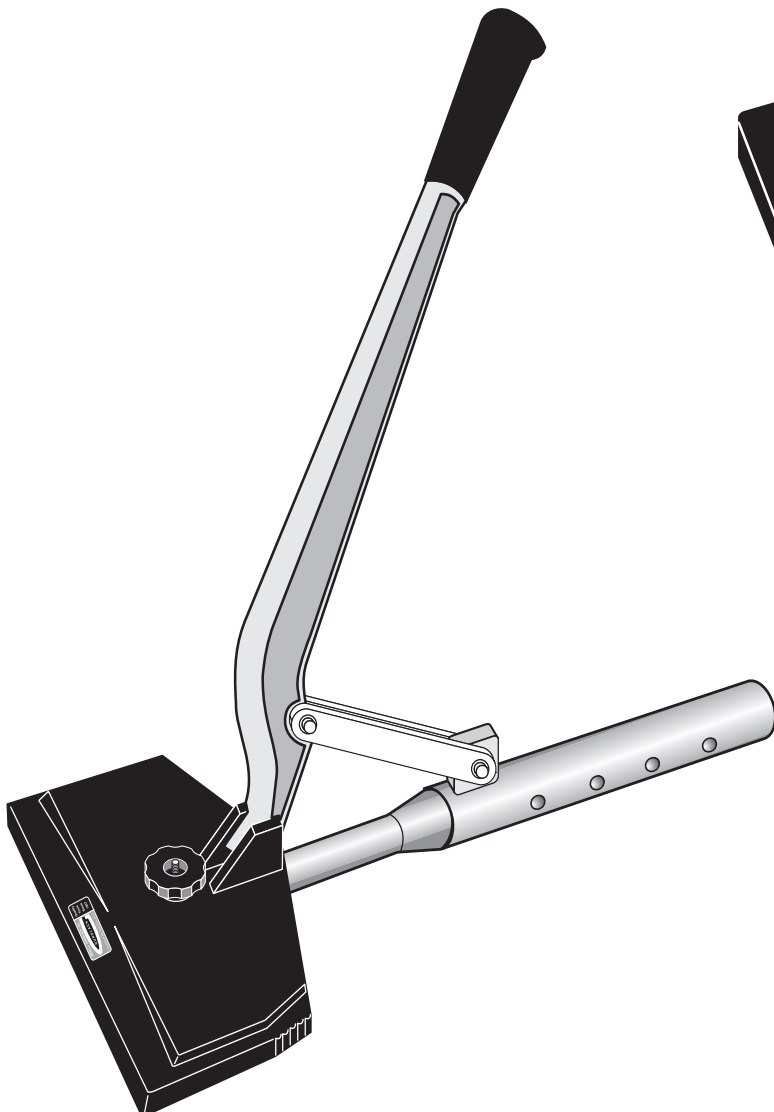


# GUNDLACH POWER STRETCHERS

This document contains product feature information, guidelines and tips for successful carpet installation, instructions for the care and maintenance of your power stretcher, carpet stretching techniques taken from the Carpet and Rug Institute's *Standard for Installation of Residential Carpet—CRI 105 - 2002*, and parts lists for the No. 400-CS Junior Power Carpet Stretcher and No. KT-150 Deluxe Power Carpet Stretcher.

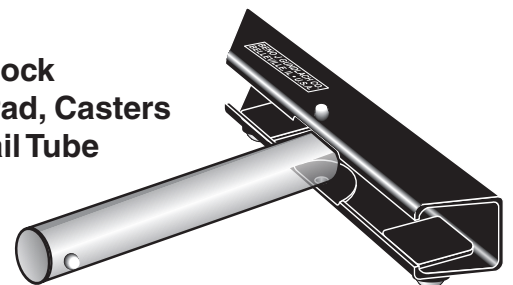


**No. 400-CS  
Junior Power Carpet Stretcher**

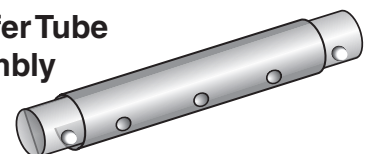


**No. KT-150  
Deluxe Power Carpet Stretcher**

**Tail Block  
with Pad, Casters  
and Tail Tube**



**Straight  
Transfer Tube  
Assembly**



# Gundlach No. 400-CS Junior Power Carpet Stretcher and No. KT-150 Deluxe Power Carpet Stretcher

Almost every yard of conventional carpet installed today requires the use of a power stretcher. This tool simplifies installation techniques and helps ensure a trouble-free professional installation.

The Gundlach Junior and Deluxe Power Stretchers are designed with product features that provide ease of handling and adaptability. These features are:

## Driving Head

- **Wide Head** — It measures 14¼ inches wide for greater load distribution.
- **Variable Pin Penetration** — Single-knob (No. 400-CS) or two screws on adjustment bar (No. KT-150) adjust the stretcher to any carpet pile.
- **Metal Pin Plate** — Firmly holds all height stretcher pins for nonslip work. (No. 400-CS has 59 pins; No. KT-150 has 60 pins.)
- **High-Strength Aluminum** — For long life and lighter weight.

## Handle and Thrust Unit

- **Bronze Bushings** — Ensures long life at key stress points.
- **Alloy Holding Pins and Brackets** — Maximum wear resistance at handle and head.

## Steel Tubing Sections

- **High-Yield Steel** — Ensures maximum load capability without bending.
- **Punched Adjustment Holes** — Easy adjustment on the job. Tubes adjust in 4-inch increments. No blind spots.
- **Nickel-Chrome Plating** — Provides a bright attractive finish that resists corrosion.
- **Versatility** — Works with other stretchers except Taylor and Roberts Senior model.
- **Extension Adjustment** — From 34½ to 266 inches with four tubes.

## Tail Block

- **Non-Slip Non-Marking Rubber Pad** — Provides sure grip on the baseboard.
- **30° Pivot Each Side** — Ensures stretch-off point on any baseboard with sure grip control.
- **Casters** — Provides fast movement of the tail block along the wall.

## Straight Transfer Tube Assembly

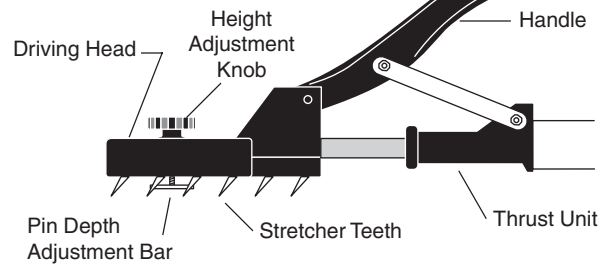
- **No Voids** — Connecting tube at the driving head adjusts in 2-inch increments.

## Carrying Cases (see Parts List)

- **Rugged Light-Weight Construction** — No. 400-CS case is 18 gauge steel; No. KT-150 case is plastic.
- **Piano Hinge** — Stability where it counts.
- **Heavy-Duty Handle and Clips** — Made to take everyday use.
- **Extra Tube Storage** — Equipped to hold six complete extension tube sections. (No. 400-CS case has 'snap-out' feature for holding tubes in the lid.)

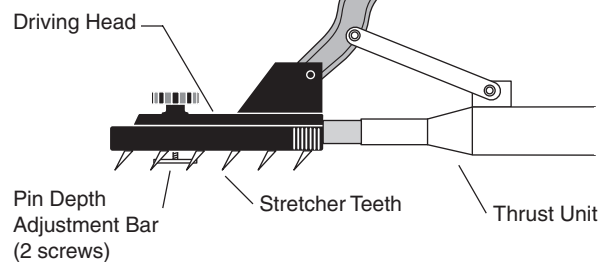
## No. 400-CS

### Junior Power Carpet Stretcher



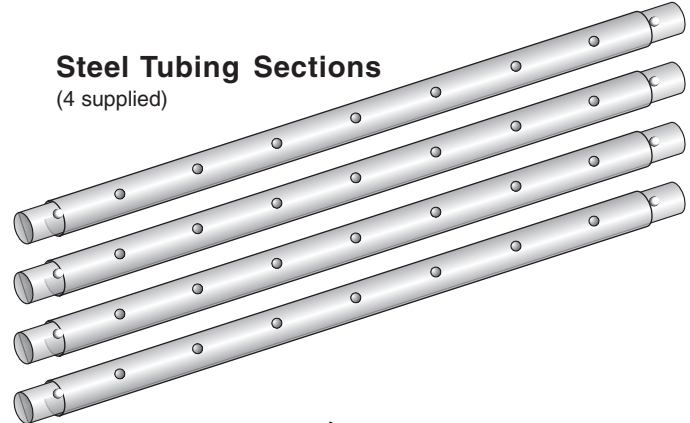
## No. KT-150

### Deluxe Power Carpet Stretcher



## Steel Tubing Sections

(4 supplied)

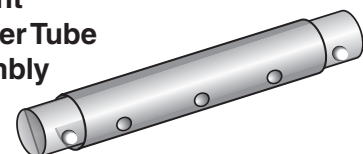


## Tail Block

(with Pad, Casters and Tail Tube)



## Straight Transfer Tube Assembly



# Guidelines for a Successful Carpet Installation with Gundlach Junior and Deluxe Power Stretchers

## Assembly on the Job

1. From the 'stretch-off wall', assemble the tube sections from the tail block forward.
2. When attaching the stretcher head, allow approximately four inches from the head to the 'stretch-to wall' (Figure A).

## Use of Variable Pin Penetration Adjustment

Adjust pin depth prior to the first stretch (Figure B).

Pin penetration should extend into the carpet backing—not through. When recommended, the pin adjustment can be made to adjust with minimum penetration.

## Stretching the Carpet

1. Position the stretcher head at an angle toward the first corner. In a kneeling position, grasp the handle with one hand and apply downward pressure with short strokes (Figure C). Upon completion, the handle should be down in the locked position (Figure D). If the handle will not lock comfortably, lift the stretcher head by grasping the handle, reposition the stretcher head forward at a smaller angle. Tube adjustment may be necessary.

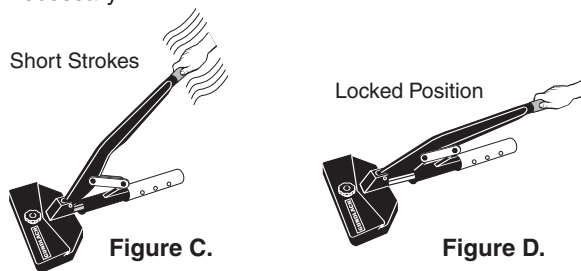


Figure C.

Figure D.

## Carpet Attachment at 'Stretch-to Wall'

Upon completion of a stretch, attach only approximately  $\frac{2}{3}$  the width of the stretcher head at one time. This enables the carpet to be stretched evenly on the 'stretch-to wall'.

## Repositioning the Stretcher

Following a completed stretch and carpet attachment, lift the stretcher handle to automatically disengage the pins. Push outward on the tubes and reposition the stretcher head. Repeat as needed (Figure E).

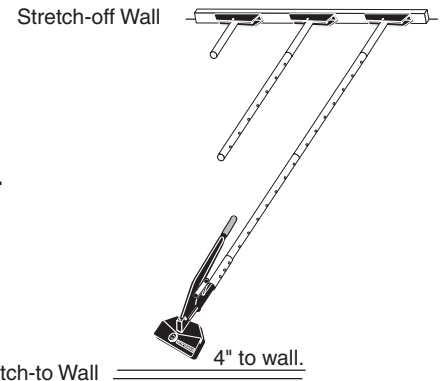


Figure A.

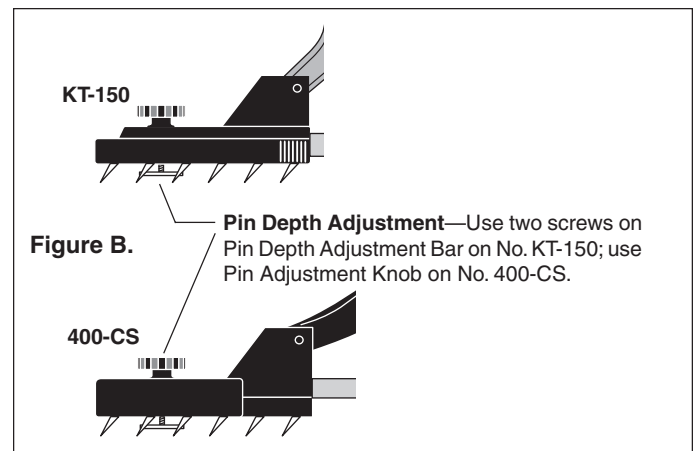


Figure B.

**Pin Depth Adjustment**—Use two screws on Pin Depth Adjustment Bar on No. KT-150; use Pin Adjustment Knob on No. 400-CS.

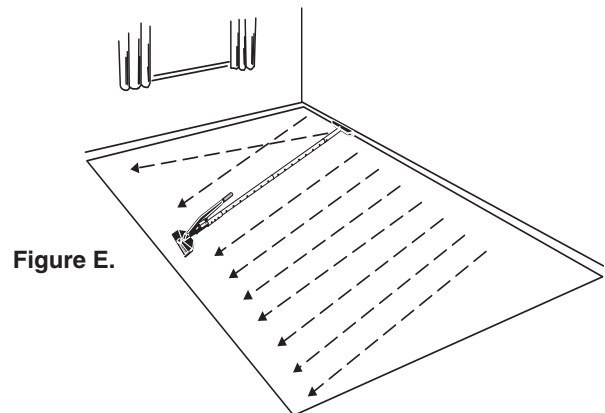


Figure E.

## Tips for a Successful Carpet Installation

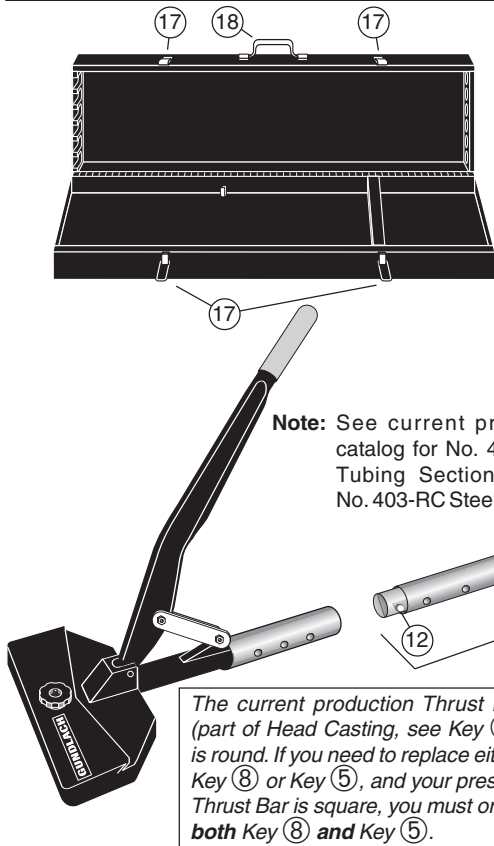
1. Proper pin penetration is a must, and should be completed before stretching the carpet.
2. Never work against yourself. When using the Gundlach Junior or Deluxe Power Stretcher, work from the completed side toward that side which is not completed.
3. Tail block position should always be down along the baseboard, not up on the wall.
4. On long stretches where tube deflection and bending are problems, overlap the extension tube sections as much as possible. Carrying extra extension tubes is recommended.

## Maintaining Gundlach Power Stretchers

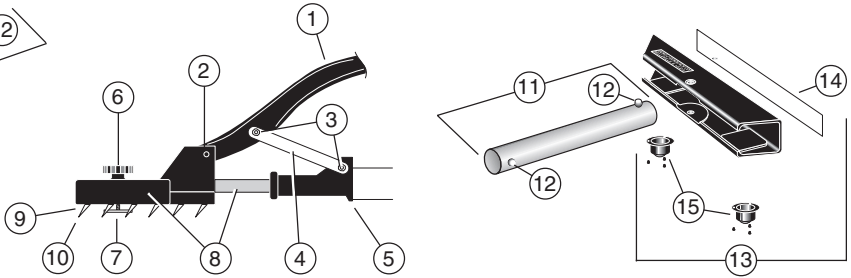
Gundlach Junior and Deluxe Power Stretchers require little maintenance. Every unit is tested and inspected at the factory. To maintain a properly functioning tool and to ensure longer life, we offer the following maintenance suggestions:

1. Always store your stretcher in the case after each use.
2. Frequently wipe tubing sections with a fine steel wool or cloth to remove any accumulation of dirt or grime.
3. Periodically clean moving parts to minimize excessive wear.
4. Replace or repair worn parts.

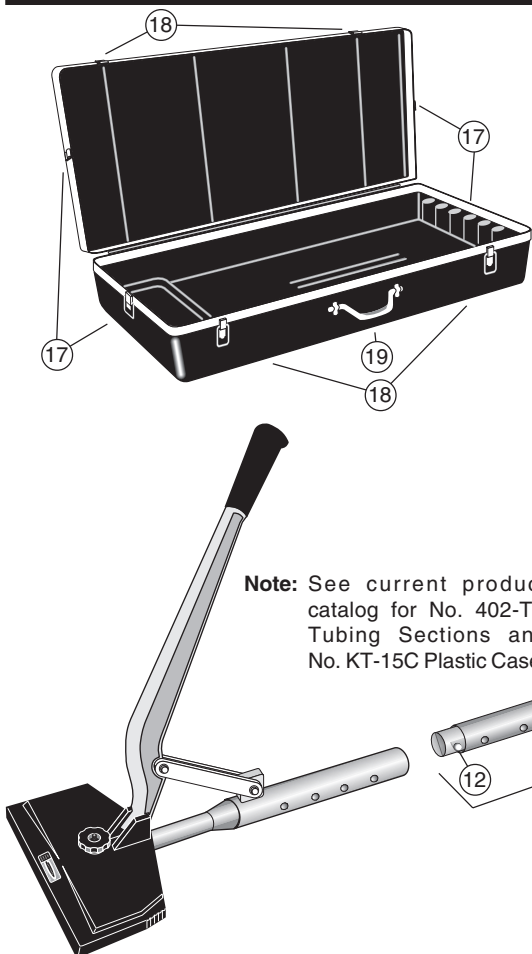
## No. 400-CS Junior Carpet Stretcher



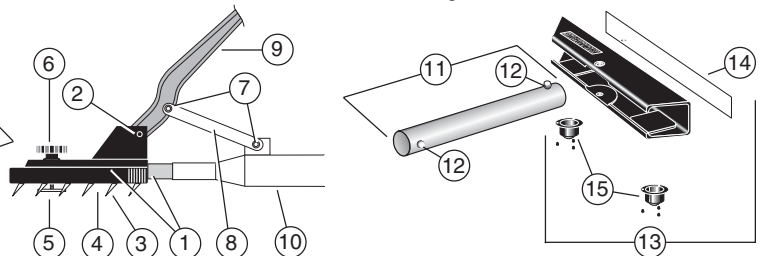
Key	Item Number	Qty. Req.	Description
1	1400-B	1	Handle with Grip and Bushings
2	1400-C	1	Knurled Pin
3	1400-D	2	Link Pin with 4 Washers and 2 Nuts
4	1400-E	2	Connecting Link
5	1400-F	1	Neck Casting and Tube Assembly
6	1400-G	1	Pin Adjustment Knob with Washer
7	1400-H	1	Pin Depth Adjustment Bar with 3 Springs
8	1400-I	1	Head Casting and Thrust Bar Assembly
9	1400-J	1	Pin Plate Assembly with No. 1400-P
10	214-07	4 pkg	Kicker/Stretcher Teeth (16/package; 59/assembly)
11	1400-K	1	Tail Tube Assembly
12	402-TS-A	—	Spring Clip Assembly
13	1400-M	1	Tail Block with Pad and Casters
14	1400-Q	1	Rubber Pad for No. 1400-M
15	1400-R	1 set	Caster with 3 Screws (2/set)
16	1400-N	1	Straight Transfer Tube Assembly
17	E-1635-6AB	2 set	Large Latch Set with 4 Rivets
18	E-1635-4AB	1 set	Handle, 2 Clips and 4 Rivets
—	1400-A	1 pkg	Bushings for Nos. 1400-B and 1400-F (3/package)
—	1400-P	1 pkg	5 Screws and 3 Screw/Post Sets



## No. KT-150 Deluxe Carpet Stretcher



Key	Item Number	Qty. Req.	Description
1	E-1470-28B-3	1	Head Casting and Thrust Bar Assembly
2	E-1470-46	1	1/2" x 1-3/4" Dowel Pin
3	214-07	4 pkg	Kicker/Stretcher Teeth (16/package; 60/assembly)
4	E-1470-33A	1	Pin Plate Assembly with 6 Screws
5	E-1470-29A	1	Pin Depth Adjustment Bar Assembly
6	1400-G	1	Pin Adjustment Knob with Washer
7	E-2052-10A	2	Link Pin with 4 Washers and 2 Clips
8	E-2052-10	2	Connecting Link
9	E-1470-8B	1	Handle with Grip and Bushings
10	E-1470-12A	1	Forward Tube Assembly
11	1400-K	1	Tail Tube Assembly
12	402-TS-A	—	Spring Clip Assembly
13	1400-M	1	Tail Block with Pad and Casters
14	1400-Q	1	Rubber Pad for No. 1400-M
15	1400-R	1 set	Caster with 3 Screws (2/set)
16	1400-N	1	Straight Transfer Tube Assembly
17	E-1635-5AB	2 set	Small Latch Set with 4 Rivets
18	E-1635-6AB	2 set	Large Latch Set with 4 Rivets
19	E-1635-4AB	1 set	Handle, 2 Clips and 4 Rivets
—	E-1470-9A	1 pkg	Bushings for Nos. E-1470-8A and E-1470-12A (3/package)
—	E-1470-9B	1	Thrust Bar Bushing for No. E-1470-12A



### Beno J. Gundlach Company

211 North 21st Street • P.O. Box 544  
 Belleville, IL 62222 • U.S.A.  
 TEL: 618 233-1781 • FAX: 618 233-3636  
 www.benojgundlachco.com